

PARTS INFORMATION LETTER

PIL 96-09-01

FEBRAURY 1996

SUBJECT FILE: Retrofitting Latest Improved Version 9300 Hood (1699314C91) For Vehicles Built with Prior Version of this Hood

MODEL AFFECTS: 9300

9300 Hood improvements have predicated several mounting changes and an insulation change. To install the current 9300 hood 1699314C91 (service part number) on older models, **additional parts must be ordered.**

Approximate build date of each of the hoods:

FROM DATE	TO DATE	HOOD SERVICE PART NO.	HOOD PRODUCTION PART NO.
Prior to	June 24, 1993		1648534C92
June 24, 1993	March 11, 1994	1697372C91	2022784C91
March 11, 1994	September 18, 1995		2031657C91
September 18, 1995	Current	1699314C91	3501643C91

Attached charts list the additional parts required for each version of the replaced hood.

NOTE: To hang the splash panel in some applications, you must use a piece of metal (obtained locally) to bridge across the recess (**See FIG. 04 - Item N01**).

ILLUSTRATED FIGURES show where all the required new parts are mounted.

Brackets for the rear mounting (cab end) must be relocated to the rear reinforcement of the hood(See FIG 02 - Item 7).

SPECIAL NOTE: Please refer to TSI 95-09-01 for proper hood adjustment.

Truck Parts Policy/CEB

REPLACE 1648534C92 WITH 1699314C91

FIGURE NO.	ITEM NO.	QTY	PART NUMBER	DESCRIPTION
FIG 01	1	1	2026969C2	Guide, Hood Guide LH
FIG 01	1	1	2026970C2	Guide, Hood Guide RH
FIG 01	3	1	2023033C1	Stop, Hood Alignment LH
FIG 01	3	1	2023034C1	Stop, Hood Alignment RH
FIG 01	5	1	598567C3	Bracket, Hood Guide LH
FIG 01	5	1	598568C3	Bracket, Hood Guide RH
FIG 01	10	1	2026816C1	Bracket, Hood Guide LH
FIG 01	10	1	2026818C1	Bracket, Hood Guide RH
FIG 01	11	1	2027134C3	Support, Hood Guide Otr LH
FIG 01	11	1	2027136C4	Support, Hood Guide Otr RH
FIG 02	1	2	2040179C1	Cable, Hood Tilt Assist
FIG 02	2	2	2024218C1	Spring, Hood Cable Tilt Assist
FIG 02	4	2	1666591C1	Bracket, Hood Safety Cable
FIG 02	5	2	590280C2	Spring, Hood Cable
FIG 02	6	4	590279C2	Spring, Hood Cable Retainer
FIG 02	7	2	2022785C1	Bracket, Hood Safety Cable
FIG 02	8	1	1666541C2	Bracket, Hood Shock Absorber
FIG 03	1	1	2039905C1	Insulator, Sound Deadner
FIG 03	4	2	2040174C1	Retainer, Insulator
FIG 03	6	4	1648044C1	Retainer, Insulator
FIG 03	9	3	968706R1	Extension, Clip

FIG 03	10	1	2030968C1	Insulator, Sound Deadner LH
FIG 03	10	1	2030967C1	Insulator, Sound Deadner RH
FIG 03	12	2	2022408C1	Washer, Spl Lk

REPLACE 1697372C91 or 2022784C91 WITH 1699314C91

FIGURE NO.	ITEM NO.	QTY	PART NUMBER	DESCRIPTION
FIG 01	1	1	2026969C2	Guide, Hood Guide LH
FIG 01	1	1	2026970C2	Guide, Hood Guide RH
FIG 01	3	1	2023033C1	Stop, Hood Alignment LH
FIG 01	3	1	2023034C1	Stop, Hood Alignment RH
FIG 01	5	1	598567C3	Bracket, Hood Guide LH
FIG 01	5	1	598568C3	Bracket, Hood Guide RH
FIG 01	10	1	2026816C1	Bracket, Hood Guide LH
FIG 01	10	1	2026818C1	Bracket, Hood Guide RH
FIG 01	11	1	2027134C3	Support, Hood Guide Otr LH
FIG 01	11	1	2027136C4	Support, Hood Guide Otr RH
FIG 02	1	2	2040179C1	Cable, Hood Tilt Assist
FIG 03	1	1	2039905C1	Insulator, Sound Deadner
FIG 03	4	2	2040174C1	Retainer, Insulator
FIG 03	6	4	1648044C1	Retainer, Insulator
FIG 03	9	3	968706R1	Extension, Clip
FIG 03	10	1	2030968C1	Insulator, Sound Deadner LH
FIG 03	10	1	2030967C1	Insulator, Sound Deadner RH
FIG 03	12	2	2022408C1	Washer, Spl Lk

REPLACE 2031657C91 WITH 1699314C91

FIGURE NO.	ITEM NO.	QTY	PART NUMBER	DESCRIPTION
FIG 02	1	2	2040179C1	Cable, Hood Tilt Assist
FIG 03	1	1	2039905C1	Insulator, Sound Deadner
FIG 03	4	2	2040174C1	Retainer, Insulator
FIG 03	6	4	1648044C1	Retainer, Insulator

FIGURE 01

FIG 01

REV 96-09-01

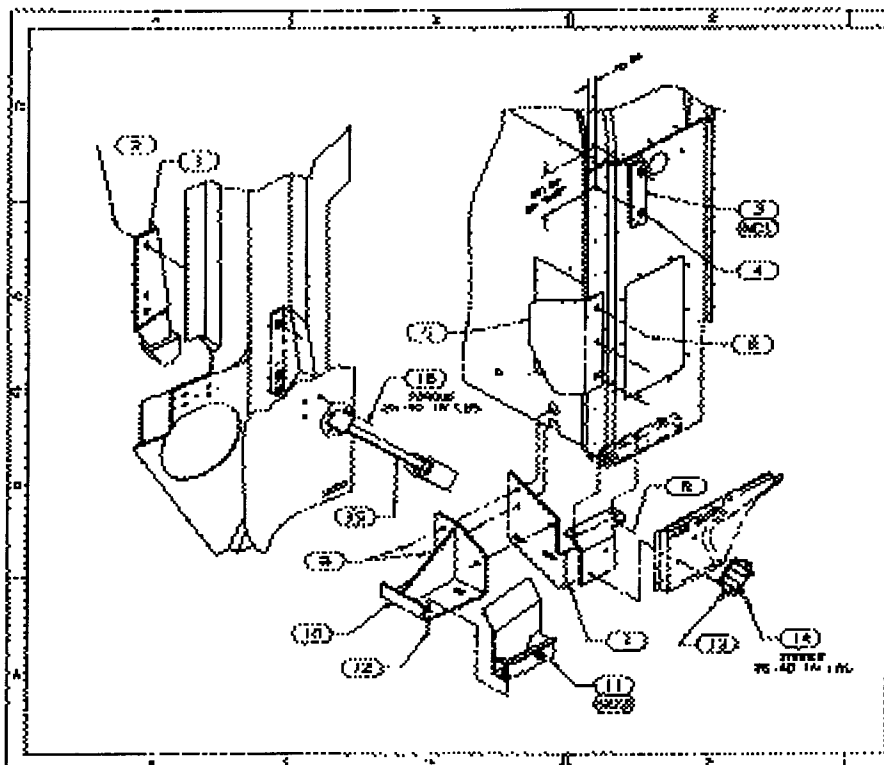


FIGURE 02

136 02

PL 96-02-01

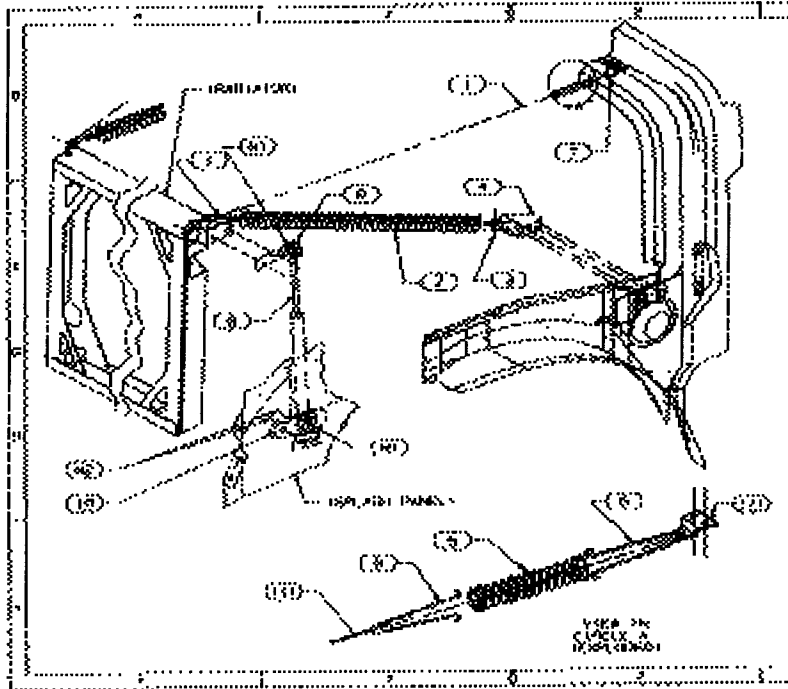


FIGURE 03

FIG 03

PL 95-05-02

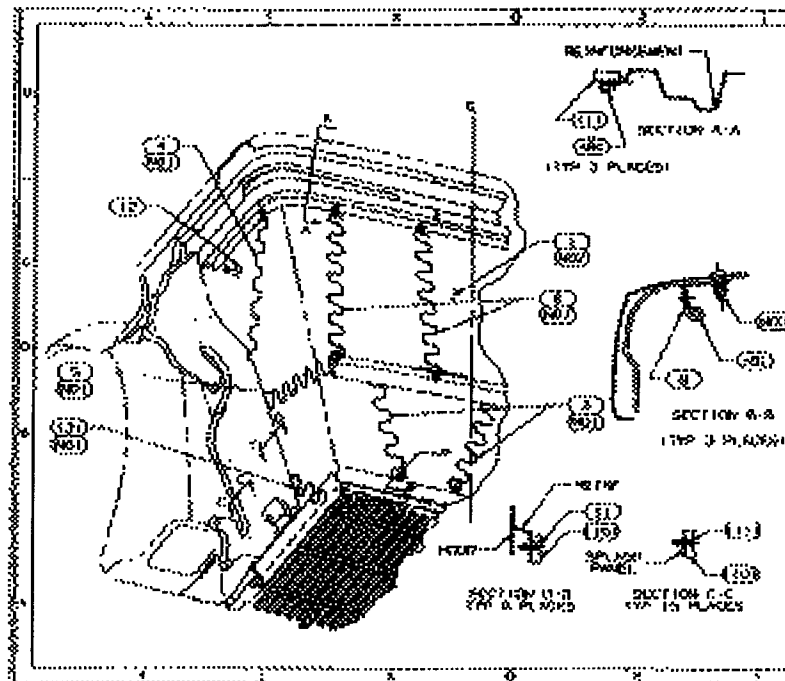


FIGURE 04

FIG 04

PIL 96-09-01

