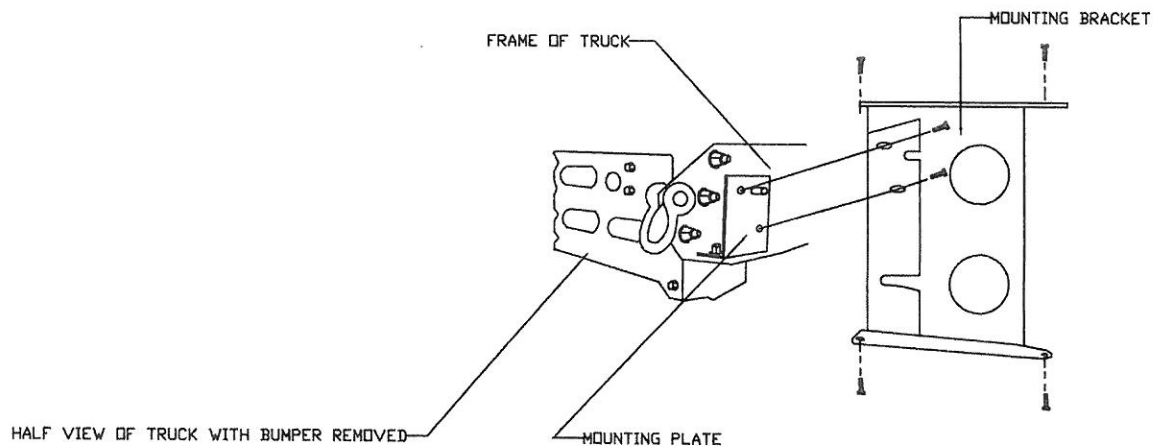




PLEASE NOTE BOLTS IN BRACKETS
ARE USED FOR SHIPPING ONLY!!!
YOU MUST SUPPLY YOUR OWN MOUNTING BOLTS.

2007 CXP613 MACK

GW MOUNTING INSTRUCTIONS



- 1.REMOVE RUBBER OR STEEL BUMPER
- 2.REMOVE YOUR OLD BRACKETS FROM TRUCK
- 3.MOUNT NEW BRACKETS TO TOP & BOTTOM FLANGE OF YOUR NEW BUMPER<DO NOT TIGHTEN YET>
- 4.SET BRACKETS 50"APART INSIDE TO INSIDE AND TIGHTEN.
- 5.MOUNT BUMPER TO FRAME.
- 6.ADJUST BUMPER FOR PROPER FIT.
- 7.TIGHTEN ALL MOUNTING HARDWARE.