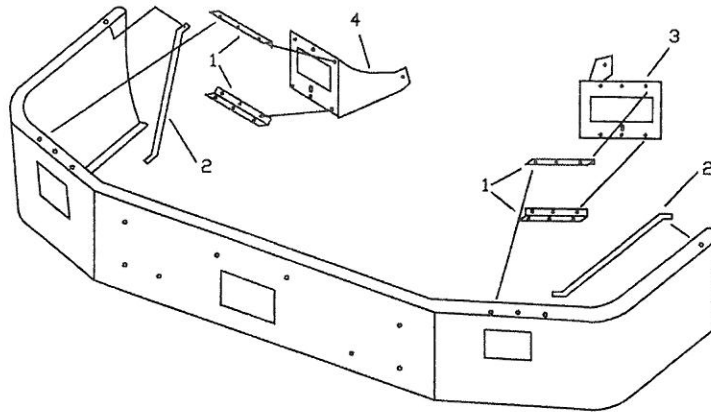




P E T E R B I L T

Mounting List-377 Set Back Axle

HH MOUNTING INSTRUCTIONS



Peterbilt part#		Qty.	Description
1 01-0004	N/A	4	Angle Support Bracket (Included)
2 N/A	15-05814	2	End Support Bracket
3 N/A	15-05841L	1	Left Frame Support Bracket
4 N/A	15-05841R	1	Right Frame Support Bracket

1. Mount brackets to bumper and tighten.
2. Mount bumper to frame of truck (do not tighten).
3. Adjust bumper to fit truck and tighten bolts.
4. DO NOT USE IMPACT WRENCH TO TIGHTEN BOLTS ON FACE OF BUMPER.